

# MEGA 2500 AV / 1600 AV

## Shaping of high quality anodes by hydraulic vacuum pressing technology

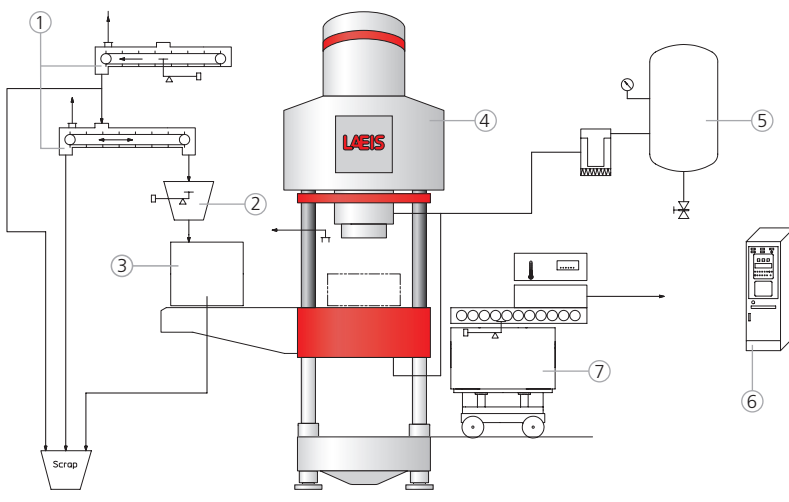
INFOTEC

### Basic concept:

Anode paste is formed to anodes at a reasonable low temperature of about 115 – 125 °C using well proven hydraulic pressing technology. Pressing is performed under vacuum. This technology provides anodes with exceptional dimensional accuracy and high green strength. A specially adapted gravimetric dosing and mould filling system guarantees minimal weight fluctuations and even density distribution. A control unit with integrated marking device for 100 % in line quality control is available as an option.

### Typical performance data:

Temperature range of paste after cooling mixer (depending on pitch quality and recipe)	approx. 115 – 125 °C
Cycle time (depending on anode format)	approx. 60 – 90 s (up to 60 anodes/h in a single cavity mould)
Weighing/dosing accuracy	± 5 kg
Dimensional accuracy (length/width)	± 2 mm
Dimensional accuracy (height)	± 5 mm



1. Dosing unit
2. Weighing unit
3. Mould filling device
4. Press
5. Vacuum unit
6. Control unit
7. Mould changing device

LAEIS GmbH  
Am Scheerleck 7  
L-6868 Wecker  
Luxembourg  
Phone +352 27612 0  
Fax +352 27612 109  
info@laeis.eu

**LAEIS**

a company of  **SACMI**

# MEGA 2500 AV / 1600 AV

## Shaping of high quality anodes by hydraulic vacuum pressing technology

INFOTEC

### Hydraulic vacuum press MEGA technical data:

	2500 AV	1600 AV
Maximum pressing force	25 000 kN (2 500 Mt)	16 000 kN (1 600 Mt)
Useful die area	1 800 x 850 mm <sup>2</sup>	1 700 x 700 mm <sup>2</sup>
Maximum filling depth	1 400 mm	1 200 mm
Cycle time	approx. 60 – 90 s	approx. 60 – 90 s
Vacuum	< 100 mbar	< 100 mbar

### Quality control / anode marking unit:

Control of:

- anode height (by press)
- anode weight
- anode temperature

Anodes matching the specifications are marked with an alphanumeric code; anodes not matching the specifications are sorted out

### Advantages:

- suitable for the production of practically all anode formats used today
- optimum densification by pressing under vacuum
- even density distribution within the anodes
- high anode weight accuracy and reproducibility
- adaptable pressing force and built-in closed loop control of all axes and movements, allowing high accuracy of anode height and reproducible density
- low pressing temperature resulting in high green strength of anodes, allowing only air cooling; no water cooling of the anodes required
- low fume and PAH emissions due to low pressing temperature
- unmatched plant availability, guaranteed by reliable and proven hydraulic pressing technology
- very fast mould change (possible within 1 h)
- low maintenance; no vibration
- high productivity
- low noise level



LAEIS GmbH  
Am Scheerleck 7  
L-6868 Wecker  
Luxembourg  
Phone +352 27612 0  
Fax +352 27612 109  
info@laeis.eu

**LAEIS**

a company of  **SACMI**